

Elbrus WNEL-27 CCP

STANDARD FEATURES

- working temperature: from -25°C to -21°C
- refrigerant: R290
- electrical defrosting
- automatic evaporation of condensate
- electronic controller with temperature indicator
- exposition: zinc-plated steel, powder coated in white (RAL 9003)
- thermopane glass (4 side glass)
- color of the base black (RAL 9005)

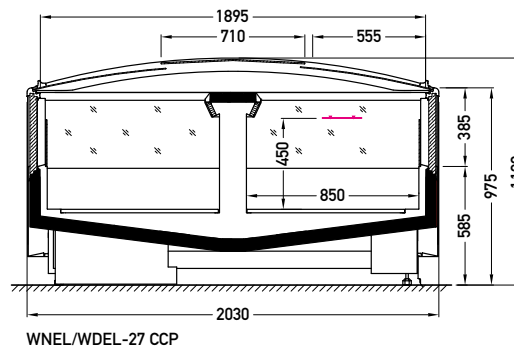
OPTIONS

- sidewalls
- LEDit lighting



Elbrus WNEL-27 2500 CCP

CCP — cover | single, curved | sliding (slide-up/push)



AVAILABLE MODULES

2500 3750
1895G