



PLUG-IN → PROMOTION

Fiji LDFI-19 1250

CSS | BCA



Module:

1250



Refrigerant:

R290



Available options:

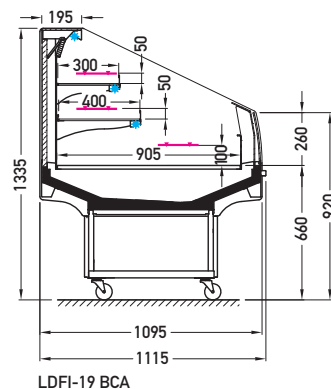
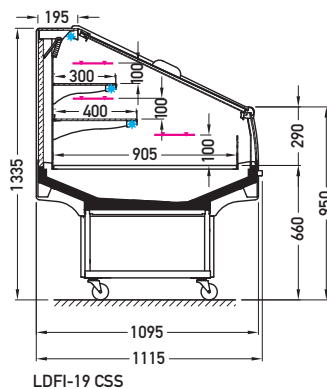
- working temperature: from 2°C to 4°C for BCA, from 0°C to 2°C for CSS
- electrical defrosting
- automatic evaporation of condensate
- electronic controller with temperature indicator
- **energy saving fans**
- exposition: zinc-plated steel, powder coated in white (RAL 9003)
- inox square bumper 25x25 mm
- colour of the base black (RAL 9005)
- sidewalls glass with black/grey screen printing
- mechanical night blind for version BCA
- on wheels



Fiji LDFI-19 1250 CSS



Cross sections:



CSS – cover | single, straight | sliding (sideways)
BCA – low glass or front glass riser | single, bent | fixed

Available modules: 1250 1600