

Fiji LDFI-32

BSA | DDS

STANDARD FEATURES

- double devices (two evaporators)
- refrigerant: R290
- working temperature: from 2°C to 4°C
- electrical defrosting
- automatic evaporation of condensate
- electronic controller with temperature indicator
- exposition: zinc-plated steel, powder coated in white (RAL 9003)
- inox square bumper 25 x 25 mm
- color of the base black (RAL 9005)
- sidewalls glass with black/ grey screen printing

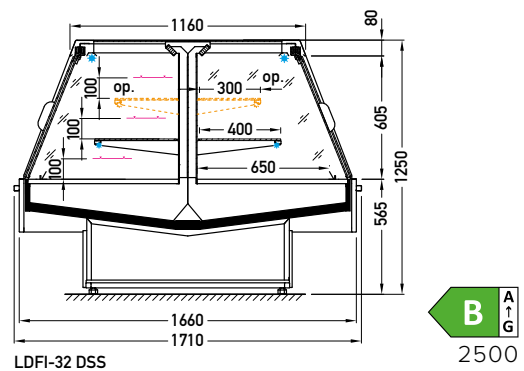
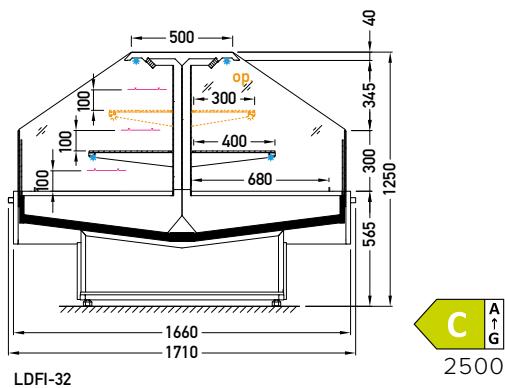
OPTIONS

- LEDit lighting



Garmo RDGA-L4 1875 DVO

BSA – low glass or front glass riser | single, straight | fixed
 DDS – door | double, straight | sliding (sideways)



AVAILABLE MODULES

1875 2500