

Pamir WDPR-04

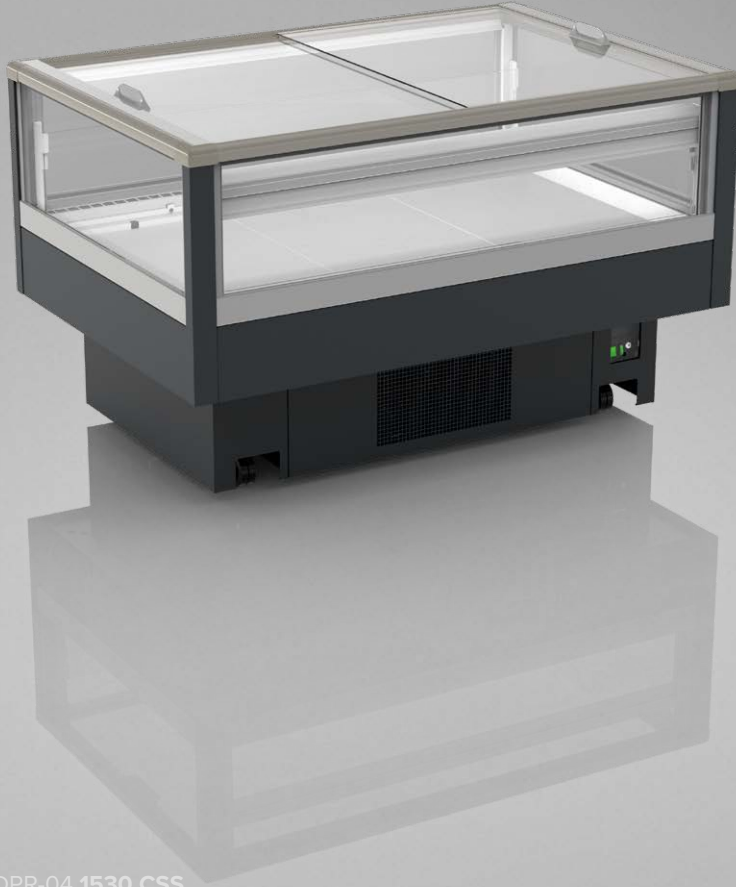
CSS | XXX

STANDARD FEATURES

- working temperature: from 0°C to 2°C
- refrigerant: R290
- hot gas defrosting for modules 1530/2530 CSS; electrical defrosting for modules 2030 CSS / all XXX
- automatic evaporation of condensate
- electronic controller with temperature indicator
- exposition: zinc-plated steel, powder coated in white (RAL 9003)
- thermopane glass
- color of the base black (RAL 9005)
- sidewalls integrated

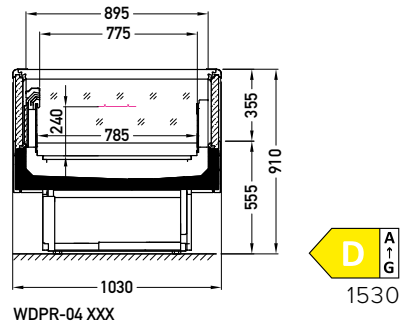
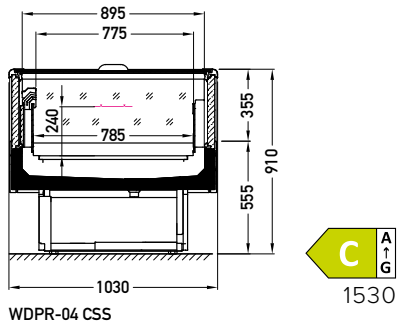
OPTIONS

- bumper
- LEDit lighting



Pamir WDPR-04 1530 CSS

CSS – cover | single, straight | sliding (sideways)
 XXX – no glazing



AVAILABLE MODULES

1530 2030 2530