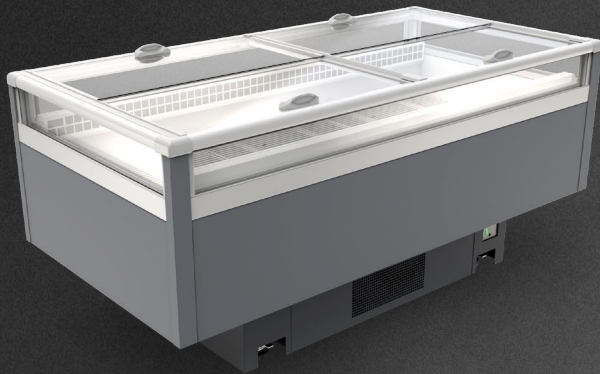




PLUG-IN → ISLANDS

Pamir WNPR-01 2030

CSS | XXX



Module:

2030



Refrigerant:

R290



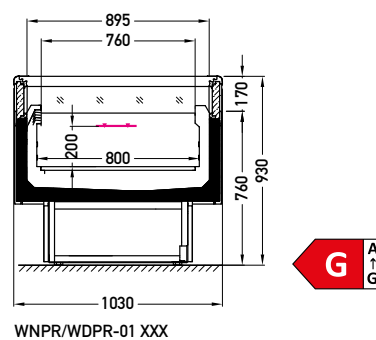
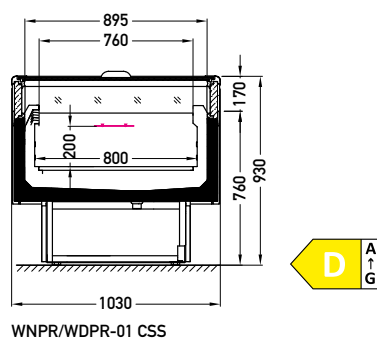
Available options:

- working temperature: from -25°C to -21°C
- hot gas defrosting
- automatic evaporation of condensate
- electronic controller with temperature indicator
- **energy saving fans**
- exposition: zinc-plated steel, powder coated in white (RAL 9003)
- thermopane glass
- colour of the base black (RAL 9005)
- bumper (optionally)
- sidewalls integrated
- LEDit lighting (optionally)
- night cover for version XXX

Pamir WNPR-01 2030 CSS



Cross sections:



CSS – cover | single, straight | sliding (sideways)
XXX – no glazing

Available modules: 1230 1530 2030 2530